

Videojet® 1510

Small Character Ink Jet Printer

Ink Jet.

Laser.

Thermal Transfer.

Labelers.

Track & Trace.

Supplies.

Parts & Service.

Simpler operation. Less maintenance. Superior print quality. The all-new Videojet 1510 continuous ink jet printer is engineered to keep your line up and running longer. It's designed for customers who print multiple shifts per day providing 9,000 hours of production before required preventive maintenance.

Advanced capabilities

- Up to 5 lines of code with speeds up to 914 ft./min. (278.6 m/min.)
- Wide range of bar codes (including 2D DataMatrix)
- Standard USB and Ethernet

Simple to maintain

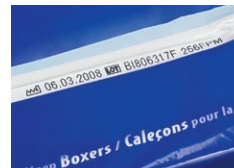
- 9,000-hour core life

Superior environmental protection

- IP55 washdown protection
- Optional IP65 dust protection (no plant air required)



VIDEOJET®
Uptime Peace of Mind®



Line Speed Capability

Can print 1 to 5 lines of print at speeds of up to 914 ft./min. (278.6 m/min.) (10 characters per inch, single line of print)

Font Matrix Configuration

Single-line: 5x5, 5x7, 7x9, 8x12, 11x16, 17x24, 34x34
Twin-line: 5x5, 5x7, 7x9, 8x12, 11x16
Tri-line: 5x5, 5x7, 7x9
Quad-line: 5x5, 5x7
Five-line: 5x5

Linear Bar Codes

UPC A&E; EAN 8 & 13; Code 128 A, B & C;
UCC/EAN 128; Code 39; Code 93; Interleaved 2 of 5

DataMatrix Codes

10x10, 12x12, 14x14, 16x16, 18x18, 20x20, 24x24, 34x34

Nominal Character Height

Selectable from 0.079" (2 mm) to 0.40" (10 mm), depending on font

Throw Distance

Optimal: 0.472" (12 mm)
Range: 0.197" (5 mm) to 0.591" (15 mm)

Keyboard

Membrane style with tactile feedback, including 72 numeric, alphabetic, and special function keys. PC-style layout to approximate international PC convention.

Display

320x240 Bright blue backlit 5.7" LCD display.
WYSIWYG onscreen message editing

Custom Logo/Graphics

Can be created by individual user on printer or PC with optional Videojet Logo Creator software

Character Sets

Chinese, Russian/Bulgarian, Turkish/Scandinavian, Greek, Arabic, Japanese/Kanji, Hebrew, Korean, East European and European/American

Languages and Interface Options

English, Arabic, Bulgarian, Czech, Danish, Dutch, Finnish, French, German, Greek, Hebrew, Hungarian, Italian, Japanese, Korean, Norwegian, Polish, Portuguese, Russian, Simple Chinese, Spanish, Swedish, Thai, Traditional Chinese, Turkish and Vietnamese

Data Interface

Connector™ via RS232, RS 485, and Ethernet (standard)

Message Storage

100 complex messages. Unlimited storage using USB.

Console Dimensions

Stainless steel
21.3" (541 mm) high
13.6" (345 mm) wide
11.2" (285 mm) deep

Environmental Protection

IP55 (IP65 option, no plant air required)

Printhead

Heated printhead
Positive air (standard)
Diameter: 1.6" (41.3 mm)
Length: 9.5" (241.0 mm)

Printhead Umbilical

Ultra flexible
Length: 9.84' (3 m) optional 19.69' (6 m)
Diameter: 0.91" (23 mm)
Bend radius: 3.00" (76.2 mm)

Fluids Containers

Ink Smart Cartridge™ 0.793 qt. (750 ml)
Make-up Smart Cartridge 0.793 qt. (750 ml)

Temperature/Humidity Range

41°F to 113°F (5°C to 45°C)
0% to 90% RH non-condensing

Electrical Requirements

Nominal supply power 100-120 / 200-240 VAC at 50/60 Hz., 120 W

Approximate Weight

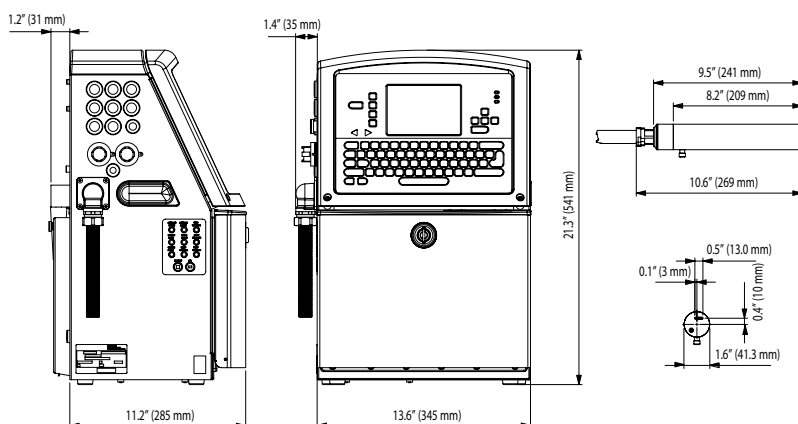
Unpacked and dry: 39.68 lbs. (18 kg)

Options

IP65 (no plant air required)
Dry air kit for high humidity (requires plant air)
Expanded I/O for remote message select and reverse print
60 micron nozzle
Food grade version
90 degree printhead
Wide range of accessories



Dimensions



800-843-3610

www.videojet.com / info@videojet.com

Videojet Technologies Inc. / 1500 Mittel Blvd.

Wood Dale IL 60191-1073 / USA

Phone 630-860-7300 Fax 630-616-3623

